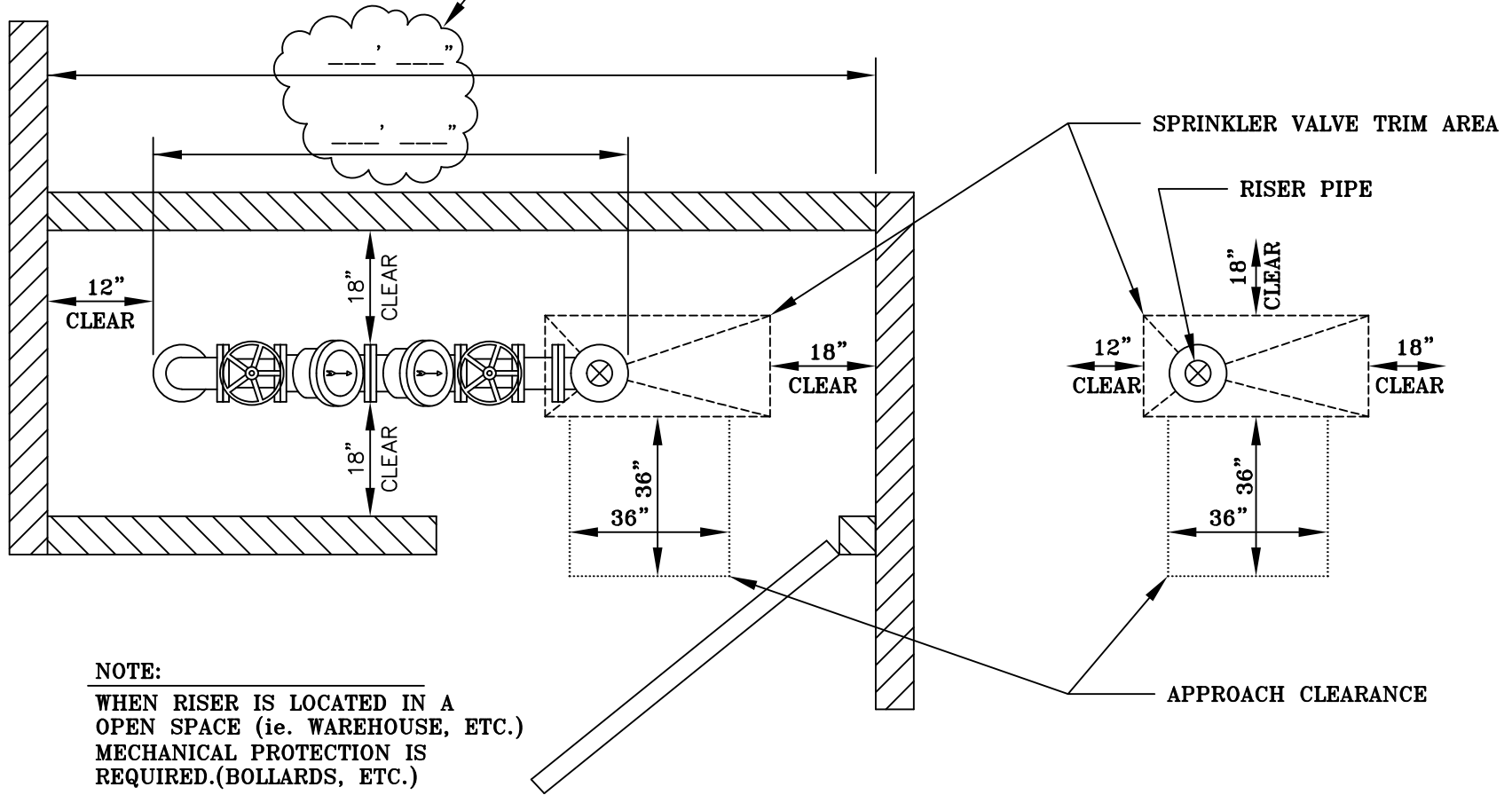


SHOW OVERALL DIMENSIONS
FOR DEVICES AND CLEARANCE.



NOTE:

WHEN RISER IS LOCATED IN A
OPEN SPACE (ie. WAREHOUSE, ETC.)
MECHANICAL PROTECTION IS
REQUIRED.(BOLLARDS, ETC.)

RISER CLEARANCE

NOT TO SCALE

CITY OF RALEIGH FIRE DEPARTMENT
FIRE PROTECTION DIVISION
310 WEST MARTIN ST. RALEIGH, NC 27602

DESCRIPTION:
RISER CLEARANCE DETAIL

REVISIONS:
1-21-20

DATE:
5/1/06

DRAWING NO.
FP-5A