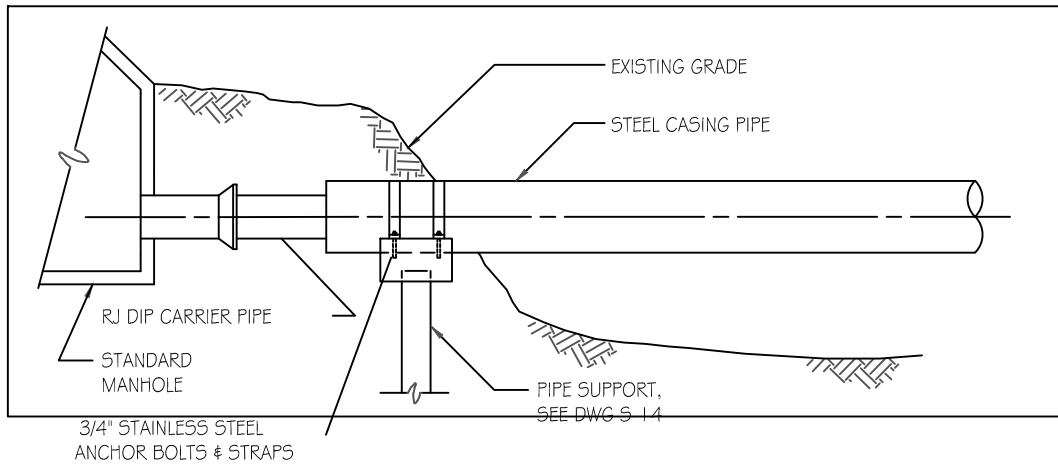


SECTION



ELEVATION

CITY OF RALEIGH			
DEPARTMENT OF PUBLIC UTILITIES			
AERIAL PIPE CROSSING			
TYPICAL PIPE SECTION & ELEVATION			
DWG. NO.	REVISIONS	DATE	REVISIONS
S-13	D.H.L.	6/16/08	
			DATE