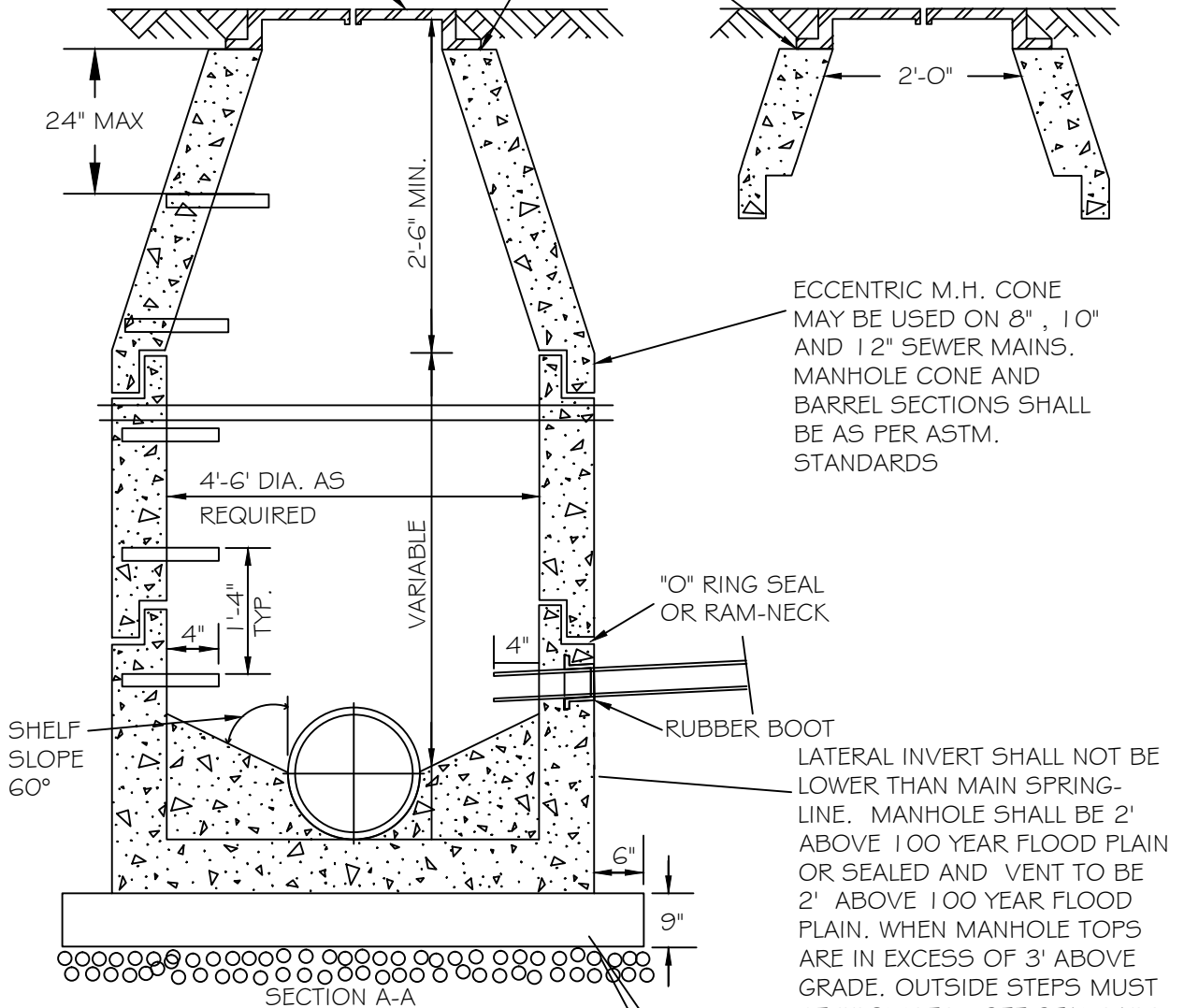


SEE C.O.R. STANDARD S-25 FOR MANHOLE FRAME AND COVER

NEW MANHOLES USE A BUTYL SEALANT BETWEEN FRAME AND MANHOLE TOP SECTION WHEN SECURING FRAME TO MANHOLE TO PROVIDE A WATER TIGHT SEAL.

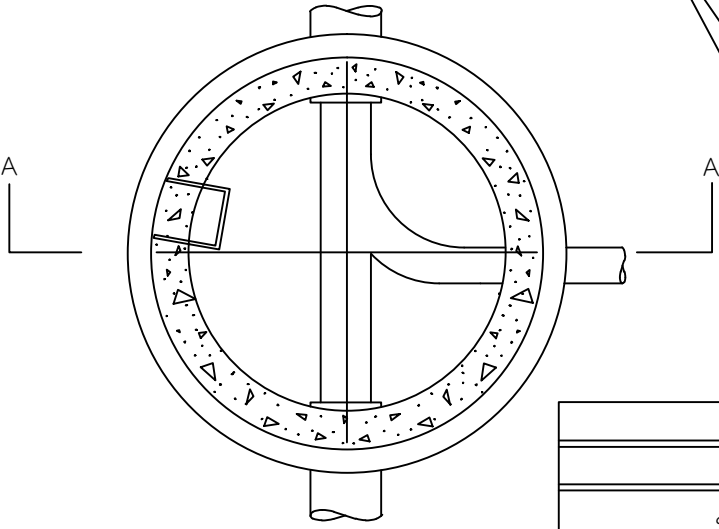


ECCENTRIC M.H. CONE MAY BE USED ON 8", 10" AND 12" SEWER MAINS. MANHOLE CONE AND BARREL SECTIONS SHALL BE AS PER ASTM STANDARDS

LATERAL INVERT SHALL NOT BE LOWER THAN MAIN SPRING-LINE. MANHOLE SHALL BE 2' ABOVE 100 YEAR FLOOD PLAIN OR SEALED AND VENT TO BE 2' ABOVE 100 YEAR FLOOD PLAIN. WHEN MANHOLE TOPS ARE IN EXCESS OF 3' ABOVE GRADE, OUTSIDE STEPS MUST BE PROVIDED. SEE STANDARD S-28 FOR STEP DETAIL. IN NON TRAFFIC AREAS, TOP OF FRAME AND COVER SHALL BE INSTALLED A MIN. OF 1' ABOVE FINISHED GROUND SURFACE.

SEE SEWER DESIGN SECTION

MIN. 9" COMPACTED #67 STONE BASE TO BE INSTALLED UNDER NEW MANHOLE.



CITY OF RALEIGH				
DEPARTMENT OF PUBLIC UTILITIES				
STANDARD PRECAST SANITARY SEWER MANHOLE				

DWG. NO.	REVISIONS	DATE	REVISIONS	DATE
S-20	Y.C.A.	12-31-92	ABB	2-21-05
	RRH	3-30-00	D.H.L.	6-16-08