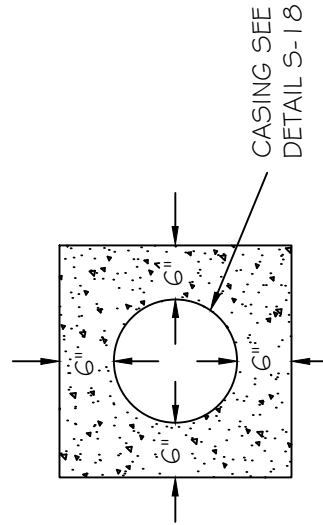


**PROFILE VIEW**

**NOTES:**

1. FOR CROSSINGS OF LESS THAN 10' NO CASING IS REQUIRED IF THE JOINT OF PIPE IS CENTERED ON THE CROSSING.
2. THRUST COLLAR MAY BE FIELD WELDED ON STEEL CASING PIPE. IF NO CASING IS REQUIRED THE THRUST COLLAR MUST BE FACTORY WELDED ON DIP CARRIER PIPE.



**CONCRETE COLLAR**

CITY OF RALEIGH				
DEPARTMENT OF PUBLIC UTILITIES				
AERIAL SEWER SERVICE				
DWG. NO.	REVISIONS	DATE	REVISIONS	DATE
S-51	J.P.S.	10-28-10		