



City of Raleigh

Public Utilities Department

Standard Reuse Details

2005

Drawing

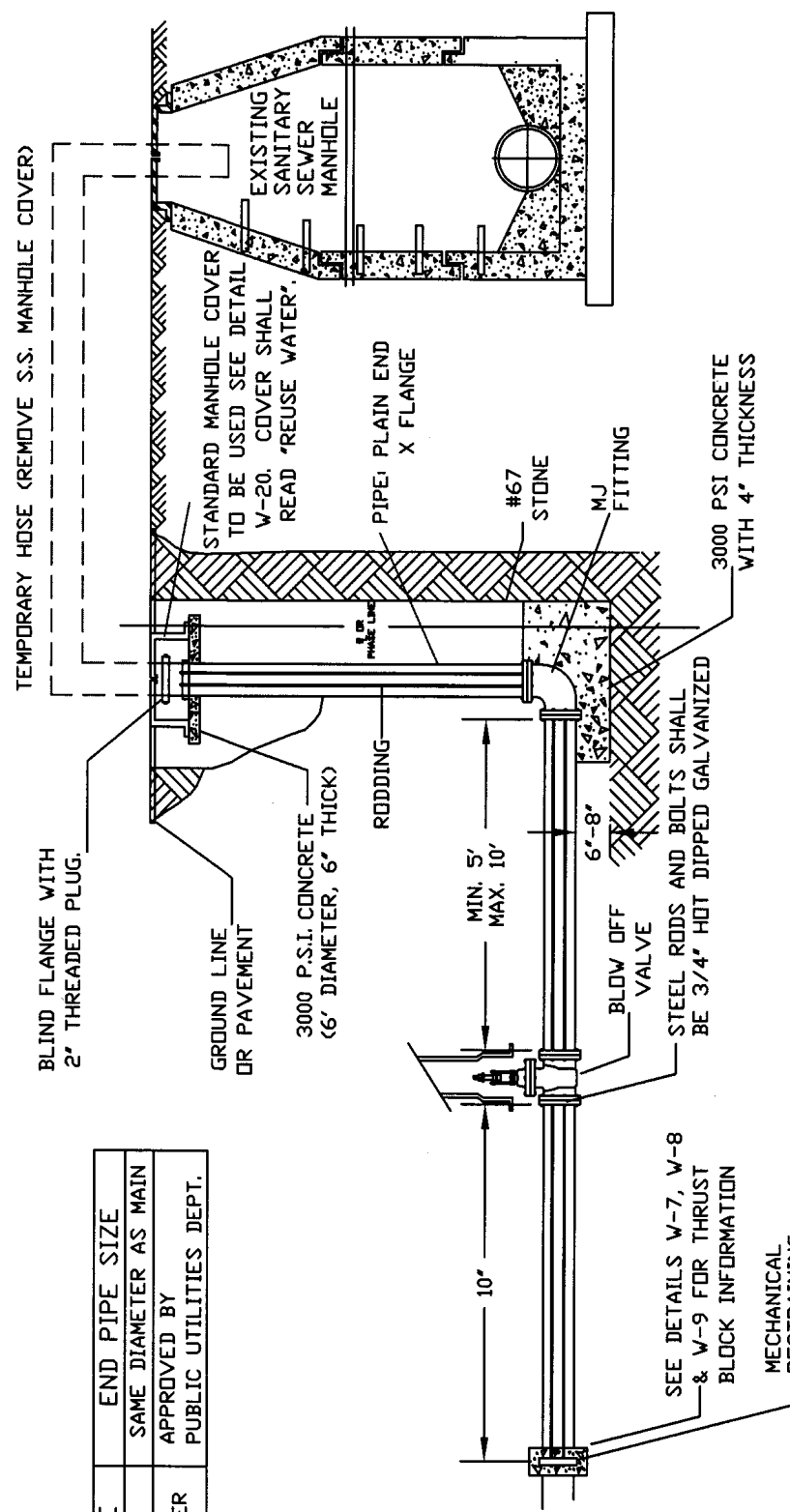
Detail Description

R-1

Temporary Reuse Main Blow Off Assembly

R-2

Permanent Reuse Main Blow Off Assembly

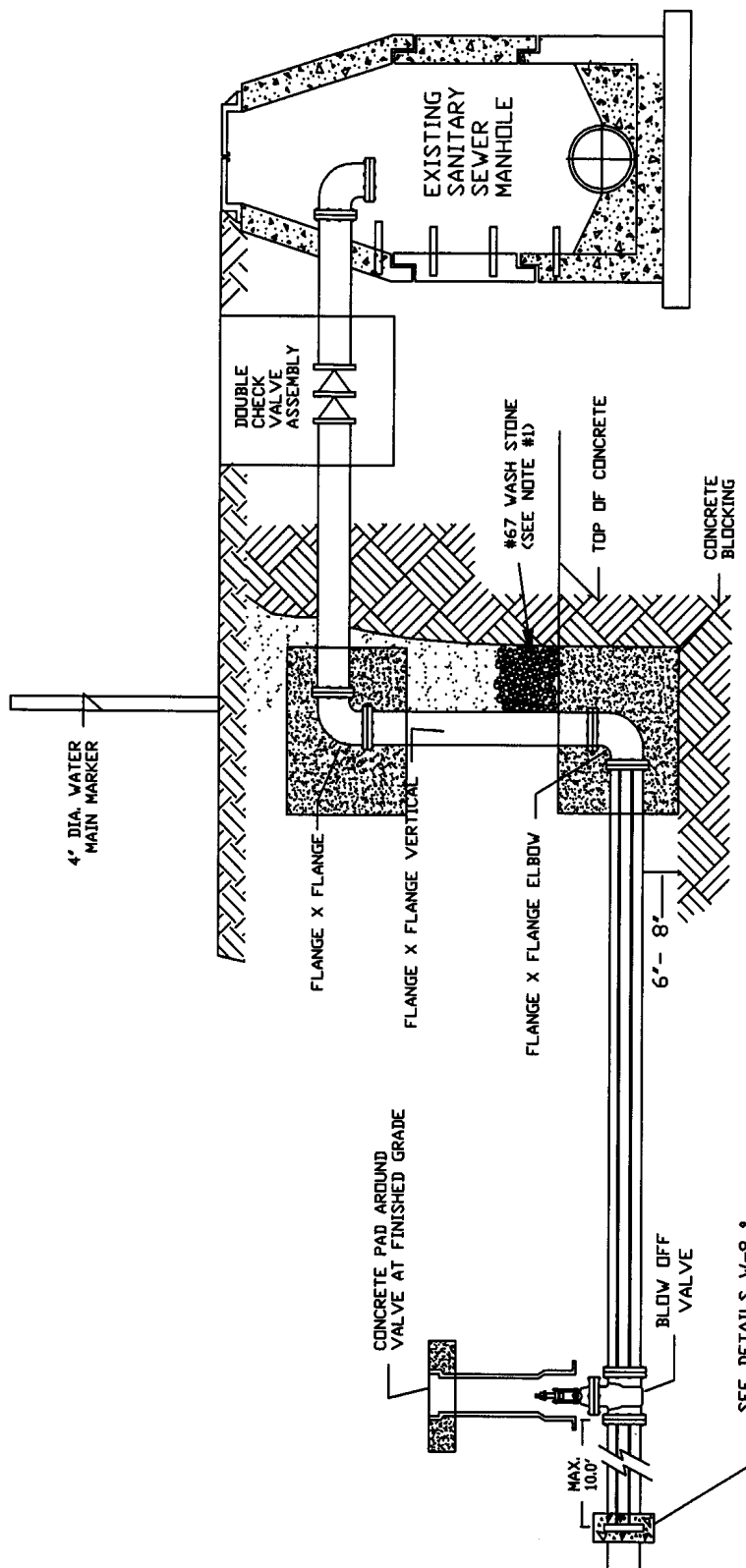


NOTES:
1) NO ROD COUPLINGS ALLOWED

MAIN SIZE	END PIPE SIZE
6" - 12"	SAME DIAMETER AS MAIN
16" & GREATER	APPROVED BY PUBLIC UTILITIES DEPT.

CITY OF RALEIGH
DEPARTMENT OF PUBLIC UTILITIES
TEMPORARY REUSE MAIN
BLOW OFF ASSEMBLY

DWG. NO.	REVISIONS	DATE	REVISIONS	DATE
R-1	A.B.B.	3-14-05		



NOTES:

1. DRILL 1/4" WEEP HOLE FOR STACK DRAINAGE INTO STONE.
2. DOUBLE 3/4" BRIDLE RODS ON BOTH SIDES.
3. INSTALL WATER MAIN MARKER AT R/W OR P/L TO LOCATE MAIN.
4. 3/4" RODS AND BOLTS TO BE HOT DIPPED GALVANIZED.
5. END PIPE SIZE SHALL BE SAME AS MAIN SIZE.
6. APPROVED DOUBLE CHECK DEVICES ARE LOCATED AT END OF WATER MATERIALS SECTION.

CITY OF RALEIGH				
DEPARTMENT OF PUBLIC UTILITIES				
PERMANENT REUSE MAIN				
BLOW OFF ASSEMBLY				
DWG. NO.	REVISIONS	DATE	REVISIONS	DATE
R-2	A.B.B.	3-15-05		

SEE DETAILS W-8 & W-9 FOR THRUST BLOCK INFORMATION